

Worm Drive Clamps Series 75 & 76

Embossed Band



We will begin with the DIN 3017 range.



Two bandwidths: 9mm and 12mm.

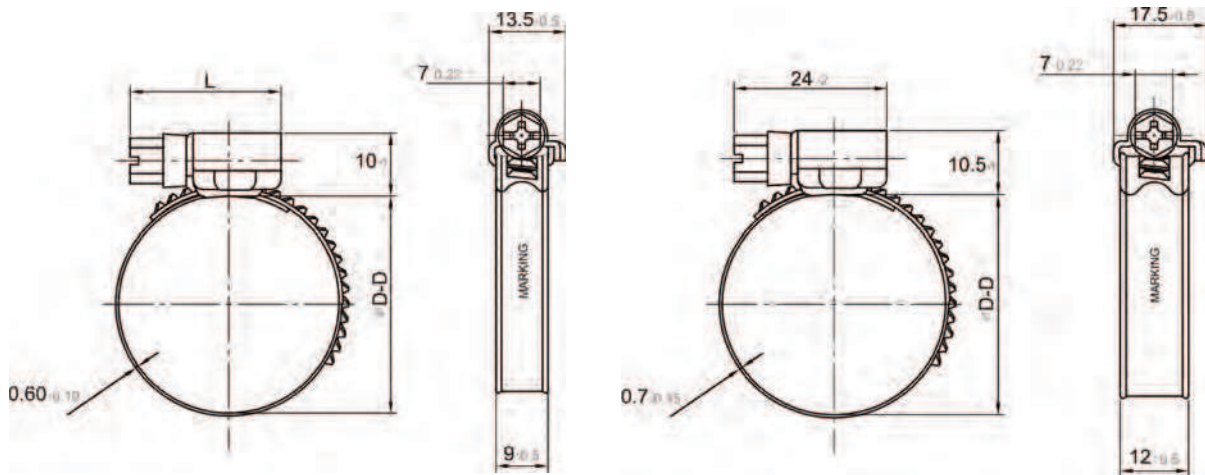
Five material choices:

Band	Housing	Screw	Reference
Z/C Steel	Z/C Steel	Z/C Steel	W1
AISI 430	AISI 430	Z/C Steel	W2
AISI 430	AISI 430	AISI 430	W3
AISI 304	AISI 304	AISI 304	W4
AISI 316	AISI 316	AISI 316	W5

* Type W3 and W5 are usually made to order unless scheduled.

Z/C = Zinc coated.

Our most popular clamp is the type W2 which combines strength with appearance and this is the type we will normally supply unless otherwise specified.



Outline layout of 9 and 12mm band clamps.



Worm Drive Clamps Series 75 & 76

Embossed Band



DIN 3017 Clamps

Our series number:			Series 75				Series 76			
Clamping diameter			9mm band				12mm band			
mm	inch	classic	W1	W2	W4	W5	W1	W2	W4	W5
8-12	5/16 – 1/2	OOO	2.5	3.0	3.0	3.0	Recommended tightening torque – Newton millimetres			
10-16	3/8 – 5/8	MOO								
12-20	1/2 - 3/4	OO								
12-22	1/2 - 7/8	O								
16-27	5/8 – 1.1/16	OX								
20-32	3/4 - 1.1/4	1A								
23-35	7/8 – 1.3/8	1								
25-40	1 – 1.5/8	1X								
32-50	1.1/4 – 2	2A								
40-55	1.5/8 – 2.1/8	2	3.0	3.5	3.5	3.5				
40-60	1.5/8 – 2.3/8	2X								
50-70	2 – 2.3/4	3								
60-80	2.3/8 – 3.1/8	3X								
70-90	2.3/4 – 3.1/4	4								
80-100	3.1/8 – 4	4X								
90-110	3.1/2 – 4.3/8	5					4.0	5.0	5.0	5.0
100-120	4 – 4.3/4	5								
110-130	4.3/8 – 5.1/8	6								
120-140	4.3/4 – 5.1/8	6X								
130-150	5.1/8 – 6	6X								
140-160	5.7/8 – 6.3/8	7								
150-170	6 – 6.3/4									
160-180	6.3/8 – 7									
170-190	6.3/4 – 7.1/2									
180-200	7 – 7.7/8									
190-210	7.1/2 – 8.1/4		It is best not to over tighten clamps. If difficulty is experienced in sealing a joint, we recommend using a wider band.							
200-220	7.7/8 – 8.5/8									
210-230	8.1/4 – 9									
220-240	8.5/8 – 9.1/2									
230-250	9 – 9.7/8									
240-260	9.1/2 – 10.1/4									
260-280	10.1/4 – 11									
290-310	11.3/8 – 12.1/4									



Series 75

W1 = B75
W2 = A75
W4 = D75
W5 = V75

Series 76

W1 = B76
W2 = A76
W4 = D76
W5 = V76

For larger sizes please enquire, though our Quick release clamps are in stock (pages 24, 25 & 26).