

# Ear Clips Series 74

## Single Ear with insert size



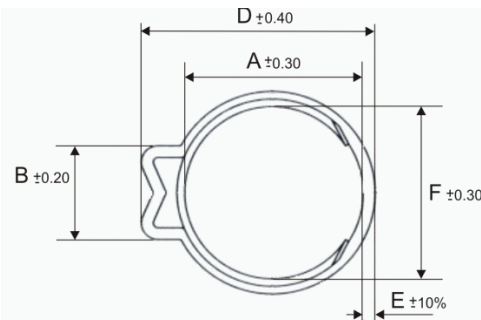
The single ear with insert has similar properties to the single ear clip but is improved due to the deployment of the ring. It is designed for clamping which involves soft/ hard rubber or plastic materials. Used widely within the Automotive Industry, medical and with electrical & electronic components.

Why the insert?

Ease of compression when clamping soft materials - A small pressing stamped in the stainless steel insert ring ensures it maintains its shape while preventing the item you are clamping from extruding into the ear.

Further advantages over the single ear clip are: Insert bridges the gap below the clips ear & curled edges of the insert further protects the hose.

Size range	Dimensions in mm							Box qty	Part Numbers	
	A	B	C	D	E	F	G		Mild Steel	Stainless Steel
7.5-8.5	9.3	5.5	6.0	13.0	0.8	8.5	7.8	100	M74300	S74401
8.0-9.5	10.3	6.0	6.0	14.0		9.5			M74301	S74402
9.0-10.5	11.3	6.5	6.5	15.0		10.5			M74302	S74403
10.0-11.5	12.3	7.0	6.5	16.0		11.5			M74303	S74404
10.5-12.5	13.3	7.5	6.5	17.0		12.5			M74304	S74405
11.5-13.5	14.3	8.0	7.0	18.5	1.0	13.3	8.8		M74305	S74406
12.5-14.5	15.3	8.0	7.0	19.5		14.5				S74407
13.0-15.3	16.3	8.5	7.0	20.5		15.3			M74306	S74408
14.0-16.3	17.5	9.0	7.0	22.0		16.3				S74409
15.0-17.3	18.5	9.5	7.0	23.0		17.3			M74307	S74410
16.0-18.3	19.5	9.5	7.5	24	1.0	18.3	9.8		S74411	
17.0-19.3	20.5	10.0	7.5	25		19.3			S74412	



### Series M74:

Material: Mild Steel.  
Finish: Zinc plated CR3.  
Inner ring: Stainless 301.

### Series S74:

Material: Stainless W4 AISI 304.  
Inner ring: Stainless 301.

